



Accessories - Drawers
Sliding Drawer



Design Features

Fit cabinets with 19" panel width. Front panel height, 8.75". Supports heavy loads even when fully extended. Requires two pairs of panel mounting rails per cabinet rack. Panel Finishes: White Texture (WH), Metallic Gray (MG) and Black Texture (BT).

Sliding Drawer				
Catalog No.	Drawings	Size Inside	Wgt. Load	Weight Lbs.
D-1722		16.56" x 6.31" x 16.18"	120	23
D-1723		16.56" x 6.31" x 19.18"	92	24



PART NAME ADJUSTABLE SLIDE DRAWER

PART No. D-1722

MATERIAL:

PANEL _____ 12 GA. STEEL
 BODY ASSEMBLY _____ 18 GA. STEEL
 MOUNTING BRACKETS _____ 16 GA. STEEL
 HANDLE _____ ABS

FINISH:

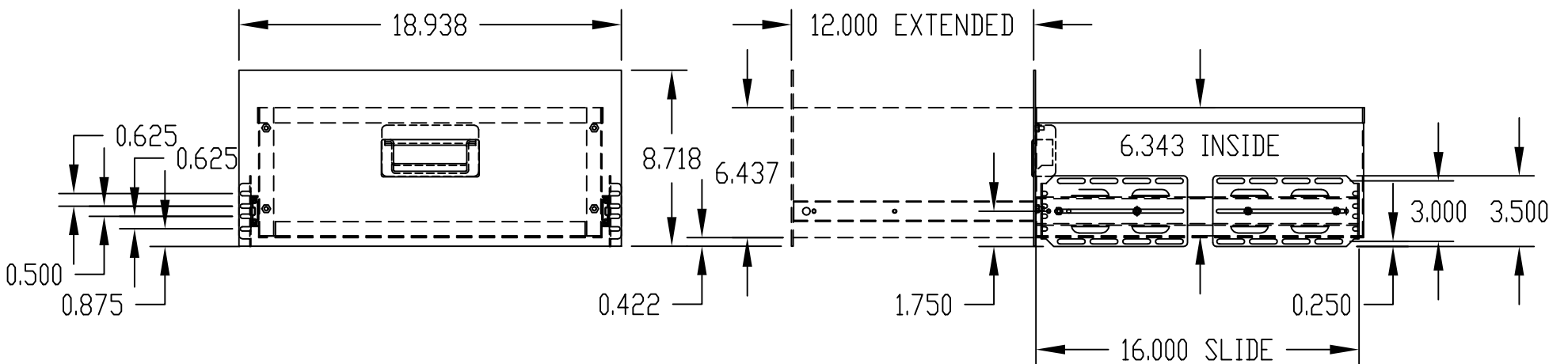
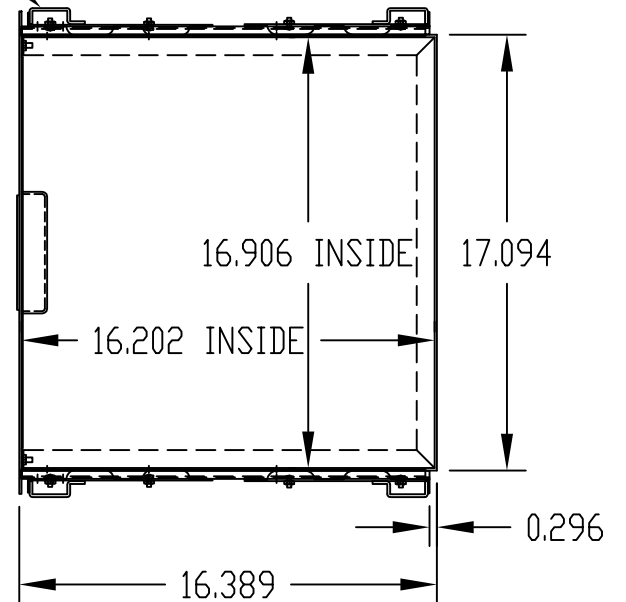
PANEL _____ WHITE TEXTURED
 _____ METALLIC GRAY
 _____ BLACK TEXTURED
 BODY ASSEMBLY _____ BLACK TEXTURED
 MOUNTING BRACKETS _____ SMOOTH BLACK
 HANDLE _____ BLACK

UNIT SHIPPED UNASSEMBLED.

SLIDE TRAVEL 12".

SLIDE LOAD RATING 120 LBS. PER PAIR.

REF. RACK
 PANEL MTG. RAIL



PART NAME ADJUSTABLE SLIDE DRAWER

PART No. D-1723

MATERIAL:

PANEL _____ 12 GA. STEEL
 BODY ASSEMBLY _____ 18 GA. STEEL
 MOUNTING BRACKETS _____ 16 GA. STEEL
 HANDLE _____ ABS

FINISH:

PANEL _____ WHITE TEXTURED
 _____ METALLIC GRAY
 _____ BLACK TEXTURED
 BODY ASSEMBLY _____ BLACK TEXTURED
 MOUNTING BRACKETS _____ SMOOTH BLACK
 HANDLE _____ BLACK

UNIT SHIPPED UNASSEMBLED.

SLIDE TRAVEL 15".

SLIDE LOAD RATING 92 LBS. PER PAIR.

REF. RACK
 PANEL MTG. RAIL

